



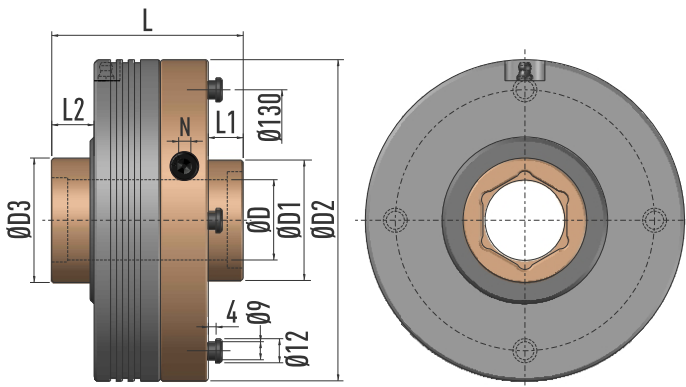
Product Description

Type SQS2 pneumatic hydro-lock chuck connects with tools by a pneumatic pull stud. It is compatible with most double-end milling, automatic feeding machines, disc milling or flanges.

Max. Speed: 9000 rpm.

Highlight Features

1. Advanced surface nickel-plating ensures high resistance to corrosion and rust;
2. Easy and quick pressurization with an Allen T wrench;
3. Pneumatic locking significantly simplifies the assembly and disassembly of the tools, and improves the production rate.



Product Specifications

SKU	Product	D	D1	D2	D3	L	L1	L2	N
G012 05901	SQS2 40/60 x 96	40	60	160	62	96	35	3.7	6
G012 05902	SQS2 40/80 x 96	40	80	160	62	96	17.5	21.2	6

Please note that all the dimensions in the above table are in metric (mm).