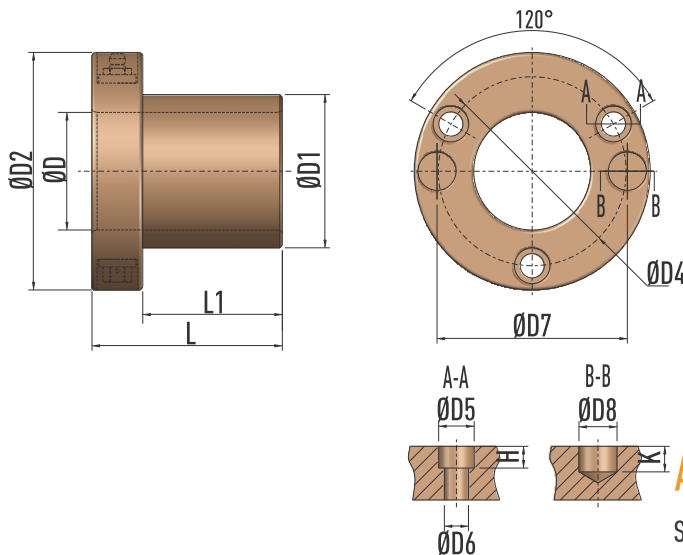


## Product Description

Type C hydro-lock sleeve is for interchangeable tool assembly. Used for assembly of cutterheads and saw blades on moulders, rip saws, and tenoners. The design allows mounting of multiple tools and quick switch between tools. Max. Speed: 9000 rpm, Operation Pressure: 40-45MPa.

## Highlight Features

1. Pressurized with grease pump for easy and quick tool assembly;
2. We offer a comprehensive range of products to match most grips in the market;
3. With accessories, multiple tools can be mounted and operated simultaneously.



## Accessories (for Type B, C, D grease pump pressurized sleeves)

SKU: H90109008  
Metric Zerc Grease Inlet Fitting M10x1.0



SKU: H90109009  
Metric Grease Release Valve M10x1.0

## Product Specifications

SKU	Product	D	D1	D2	D4	D5	D6	D7	D8	L	L1	H	K
G011 03006	C 1-13/16"/60 x 75	1-13/16"	60	93	74	14	9.5	75	15	75	55	8.5	10
G011 03010-03020	C 1-13/16"/65 x (85-285)	1-13/16"	65	98	80	14	9.5	80	15	85/135/235/285	65/115/215/265	8.5	10
G011 03516-03522	C 40/50 x (75-190)	40	50	83	64	10	6	65	15	75/95/115/165/190	55/75/95/145/170	5.5	10
G011 03530-03535	C 50/60 x (75-230)	50	60	93	74	14	9.5	75	15	75/95/115/140/230	55/75/95/120/210	8.5	10

Please note that except for the dimensions marked in imperial, all the other dimensions in the above table are in metric (mm).