

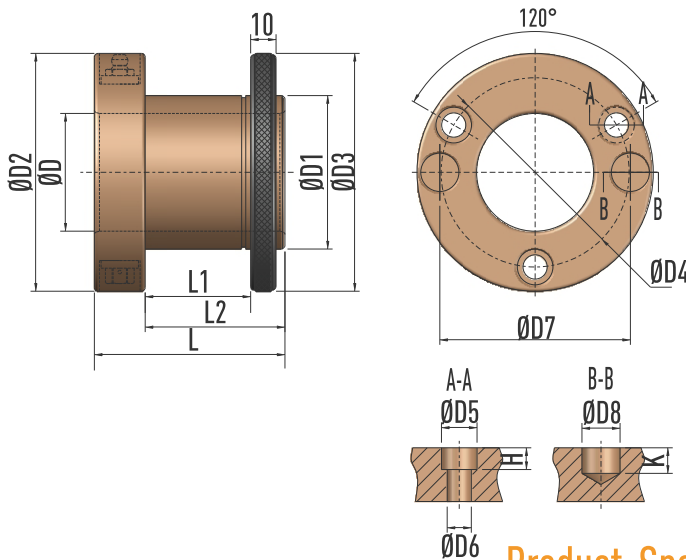
## Product Description

Type B hydro-lock sleeve is for interchangeable tool assembly. Used for assembly of cutterheads and saw blades on moulders, rip saws, and tenoners. The design allows mounting of multiple tools and quick switch between tools.

Max. Speed: 9000 rpm, Operation Pressure: 40-45MPa.

## Highlight Features

1. Pressurized with grease pump for easy and quick tool assembly;
2. We offer a comprehensive range of products to match most grips in the market;
3. The built-in lock nuts enable an easy and accurate tool adjustment and promote operation safety;
4. With accessories, multiple tools can be mounted and operated simultaneously.



## Product Specifications

| SKU                 | Product                     | D        | D1    | D2 | D3 | D4 | D5 | D6  | D7 | D8 | L                             | L1                           | L2                           | H   | K  |
|---------------------|-----------------------------|----------|-------|----|----|----|----|-----|----|----|-------------------------------|------------------------------|------------------------------|-----|----|
| G011<br>01003-01005 | B 1-1/2"/50<br>x (85-185)   | 1-1/2"   | 50    | 83 | 83 | 64 | 14 | 9.5 | 65 | 15 | 85/135/185                    | 50/100/150                   | 65/115/165                   | 8.5 | 10 |
| G011<br>01006-01009 | B 1-13/16"/60<br>x (75-190) | 1-13/16" | 60    | 93 | 90 | 74 | 14 | 9.5 | 75 | 15 | 75/115/140/190                | 40/80/105/155                | 55/95/120/170                | 8.5 | 10 |
| G011<br>01010-01013 | B 1-13/16"/65<br>x (85-235) | 1-13/16" | 65    | 98 | 98 | 80 | 14 | 9.5 | 80 | 15 | 85/135/185/235                | 50/100/150/200               | 65/115/165/215               | 8.5 | 10 |
| G011<br>01014-01018 | B 2-1/8"/65<br>x (85-270)   | 2-1/8"   | 65    | 98 | 98 | 80 | 14 | 9.5 | 80 | 15 | 85/135/185<br>/235/270        | 50/100/150<br>/200/250       | 65/115/165<br>/215/265       | 8.5 | 10 |
| G011<br>01511-01515 | B 40/50<br>x (75-190)       | 40       | 50    | 83 | 83 | 64 | 10 | 6   | 65 | 15 | 75/115/140<br>/165/190        | 40/80/105<br>/130/155        | 55/95/120<br>/145/170        | 5.5 | 10 |
| G011<br>01516-01521 | B 40/60<br>x(75-215)        | 40       | 60    | 93 | 90 | 74 | 14 | 9.5 | 75 | 15 | 75/95/115/140<br>/165/215     | 40/60/80/105<br>/130/180     | 55/75/95/120/<br>145/195     | 8.5 | 10 |
| G011<br>01530-01536 | B 50/60<br>x(75-240)        | 50       | 60    | 93 | 90 | 74 | 14 | 9.5 | 75 | 15 | 75/95/115/140<br>/190/230/240 | 40/60/80/105<br>/155/195/205 | 55/75/95/120<br>/170/210/220 | 8.5 | 10 |
| G011<br>01630-01633 | B 50/59.96<br>x(75-140)     | 50       | 59.96 | 93 | 90 | 74 | 14 | 9.5 | 75 | 15 | 75/115/140                    | 40/80/105                    | 55/95/120                    | 8.5 | 10 |

Please note that except for the dimensions marked in imperial, all the other dimensions in the above table are in metric (mm).