

## Hydro-Lock Sleeves Type B

--- Pressurized with a grease pump

### Application:

The B type Hydro-Lock Sleeve is designed for interchangeable tool assembly which can easily be switched between the tools such as straight bore cutterheads, saw blades on moulders, tenoners, and rip saws.

### Features:

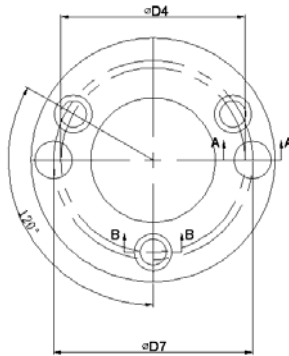
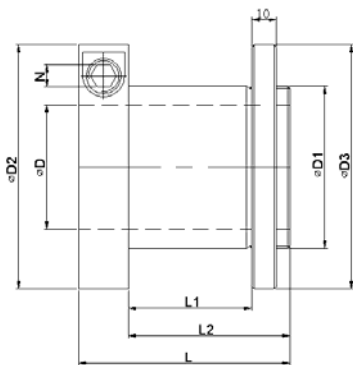
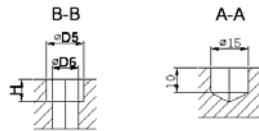
- Welded structure is designed to reach to a high performance.
- Dimensional matches to the popular grips in the market.
- Max RPM: 9000 rpm
- Working Pressure: 400 – 450 bars
- Max Pressure: 500 bars

ID No.	Type	D	D1	D2	D3	D4	D5	D6	D7	H	L	L1	L2
G011 01003	B 1-1/2"/50x85	1-1/2"	50	83	83	64	14	9.5	65	8.5	85	50	65
G011 01004	B 1-1/2"/50x135	1-1/2"	50	83	83	64	14	9.5	65	8.5	135	100	115
G011 01005	B 1-1/2"/50x185	1-1/2"	50	83	83	64	14	9.5	65	8.5	185	150	165
G011 01006	B 1-13/16"/60x75	1-13/16"	60	93	90	74	14	9.5	75	8.5	75	40	55
G011 01007	B 1-13/16"/60x115	1-13/16"	60	93	90	74	14	9.5	75	8.5	115	80	95
G011 01008	B 1-13/16"/60x140	1-13/16"	60	93	90	74	14	9.5	75	8.5	140	105	120
G011 01009	B 1-13/16"/60x190	1-13/16"	60	93	90	74	14	9.5	75	8.5	190	155	170
G011 01010	B 1-13/16"/65x85	1-13/16"	65	98	98	80	14	9.5	80	8.5	85	50	65
G011 01011	B 1-13/16"/65x135	1-13/16"	65	98	98	80	14	9.5	80	8.5	135	100	116
G011 01012	B 1-13/16"/65x185	1-13/16"	65	98	98	80	14	9.5	80	8.5	185	150	165
G011 01013	B 1-13/16"/65x235	1-13/16"	65	98	98	80	14	9.5	80	8.5	235	200	215
G011 01014	B 2-1/8"/65x85	2-1/8"	65	98	98	80	14	9.5	80	8.5	85	50	65
G011 01015	B 2-1/8"/65x135	2-1/8"	65	98	98	80	14	9.5	80	8.5	135	100	115
G011 01016	B 2-1/8"/65x185	2-1/8"	65	98	98	80	14	9.5	80	8.5	185	150	165
G011 01017	B 2-1/8"/65x235	2-1/8"	65	98	98	80	14	9.5	80	8.5	235	200	215
G011 01511	B 40/50x75	40	50	83	83	64	10	6	65	5.5	75	40	55
G011 01512	B 40/50x115	40	50	83	83	64	10	6	65	5.5	115	80	95
G011 01513	B 40/50x140	40	50	83	83	64	10	6	65	5.5	140	105	120
G011 01514	B 40/50x165	40	50	83	83	64	10	6	65	5.5	165	130	145
G011 01515	B 40/50x190	40	50	83	83	64	10	6	65	5.5	190	155	170

ID No.	Type	D	D1	D2	D3	D4	D5	D6	D7	H	L	L1	L2
G011 01516	B 40/60x75	40	60	93	90	74	14	9.5	75	8.5	75	40	55
G011 01517	B 40/60x95	40	60	93	90	74	14	9.5	75	8.5	95	60	75
G011 01518	B 40/60x115	40	60	93	90	74	14	9.5	75	8.5	115	80	95
G011 01519	B 40/60x140	40	60	93	90	74	14	9.5	75	8.5	140	105	120
G011 01520	B 40/60x165	40	60	93	90	74	14	9.5	75	8.5	165	130	145
G011 01521	B 40/60x215	40	60	93	90	74	14	9.5	75	8.5	215	180	195
G011 01530	B 50/60x75	50	60	93	90	74	14	9.5	75	8.5	75	40	55
G011 01531	B 50/60x95	50	60	93	90	74	14	9.5	75	8.5	95	60	75
G011 01532	B 50/60x115	50	60	93	90	74	14	9.5	75	8.5	115	80	95
G011 01533	B 50/60x140	50	60	93	90	74	14	9.5	75	8.5	140	105	120
G011 01534	B 50/60x190	50	60	93	90	74	14	9.5	75	8.5	190	155	170
G011 01535	B 50/60x230	50	60	93	90	74	14	9.5	75	8.5	230	195	210
G011 01536	B 50/60x240	50	60	93	90	74	14	9.5	75	8.5	240	205	220
G011 01630	B 50/59.96x75	50	59.96	93	90	74	14	9.5	75	8.5	75	40	55
G011 01631	B 50/59.96x95	50	59.96	93	90	74	14	9.5	75	8.5	95	60	75
G011 01632	B 50/59.96x115	50	59.96	93	90	74	14	9.5	75	8.5	115	80	95
G011 01633	B 50/59.96x140	50	59.96	93	90	74	14	9.5	75	8.5	140	105	120
G011 01634	B 50/59.96x190	50	59.96	93	90	74	14	9.5	75	8.5	190	155	170
G011 01635	B 50/59.96x230	50	59.96	93	90	74	14	9.5	75	8.5	230	195	210
G011 01636	B 50/59.96x240	50	59.96	93	90	74	14	9.5	75	8.5	240	205	220

ID No.	Type
G901 09008	M10x1 Inlet Zerk
G901 09009	M10x1 Release Valve





## Hydro-Lock Sleeves Type BI

--- Pressurized with the allen T-wrench

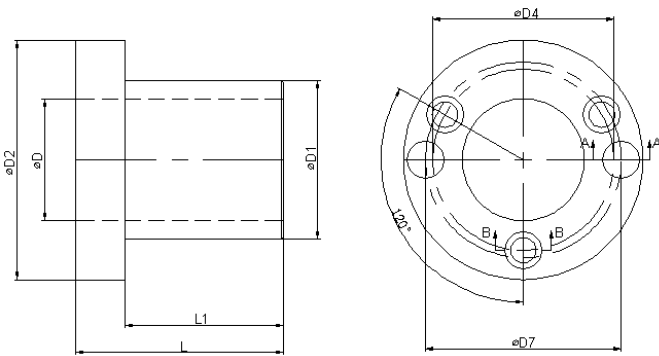
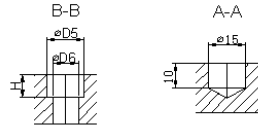
### Application:

The BI type Hydro-Lock Sleeve is designed for interchangeable tool assembly which can easily be switched between the tools such as straight bore cutterheads, saw blades on moulders, tenoners, and rip saws.

### Features:

- Welded structure is designed to reach to a high performance.
- Dimensional matches to the popular grips in the market.
- Max RPM: 9000 rpm
- Working Pressure: 400 – 450 bars

ID No.	Type	D	D1	D2	D3	D4	D5	D6	D7	H	L	L1	L2	N
G012 01003	BI 1-1/2"/50x85	1-1/2"	50	100	83	64	14	9.5	65	8.5	85	50	65	8
G012 01006	BI 1-13/16"/60x75	1-13/16"	60	102	90	74	14	9.5	75	8.5	75	40	55	8
G012 01007	BI 1-13/16"/60x115	1-13/16"	60	108	90	74	14	9.5	75	8.5	115	80	95	8
G012 01010	BI 1-13/16"/65x85	1-13/16"	65	108	98	80	14	9.5	80	8.5	85	50	65	8
G012 01011	BI 1-13/16"/65x135	1-13/16"	65	117	98	80	14	9.5	80	8.5	135	100	116	8
G012 01014	BI 2-1/8"/65x85	2-1/8"	65	108	98	80	14	9.5	80	8.5	85	50	65	8
G012 01015	BI 2-1/8"/65x135	2-1/8"	65	117	98	80	14	9.5	80	8.5	135	100	115	8
G012 01511	BI 40/50x75	40	50	100	83	64	14	9.5	65	8.5	75	40	55	8
G012 01516	BI 40/60x75	40	60	102	90	74	14	9.5	75	8.5	75	40	55	8
G012 01517	BI 40/60x95	40	60	108	90	74	14	9.5	75	8.5	95	60	75	8
G012 01518	BI 40/60x115	40	60	108	90	74	14	9.5	75	8.5	115	80	95	8
G012 01530	BI 50/60x75	50	60	102	90	74	14	9.5	75	8.5	75	40	55	8
G012 01531	BI 50/60x95	50	60	108	90	74	14	9.5	75	8.5	95	60	75	8
G012 01532	BI 50/60x115	50	60	108	90	74	14	9.5	75	8.5	115	80	95	8



## Hydro-Lock Sleeves Type C

--- Pressurized with a grease pump

### Application:

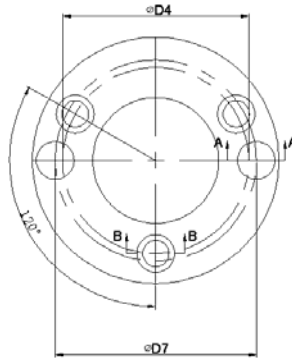
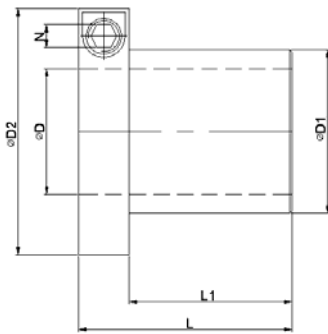
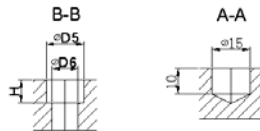
The C type Hydro-Lock Sleeve is designed for interchangeable tool assembly which can easily be switched between the tools.

### Features:

- Welded structure is designed to reach to a high performance.
- Dimensional matches to the popular grips in the market.
- Max RPM: 9000 rpm
- Working Pressure: 400 – 450 bars
- Max Pressure: 500 bars

ID No.	Type	D	D1	D2	D4	D5	D6	D7	H	L	L1
G011 03003	C 1-1/2"/50x85	1-1/2"	50	83	64	14	9.5	65	8.5	85	65
G011 03004	C 1-1/2"/50x135	1-1/2"	50	83	64	14	9.5	65	8.5	135	115
G011 03005	C 1-1/2"/50x185	1-1/2"	50	83	64	14	9.5	65	8.5	185	165
G011 03006	C 1-13/16"/60x75	1-13/16"	60	93	74	14	9.5	75	8.5	75	55
G011 03007	C 1-13/16"/60x115	1-13/16"	60	93	74	14	9.5	75	8.5	115	95
G011 03008	C 1-13/16"/60x140	1-13/16"	60	93	74	14	9.5	75	8.5	140	120
G011 03009	C 1-13/16"/60x190	1-13/16"	60	93	74	14	9.5	75	8.5	190	170
G011 03010	C 1-13/16"/65x85	1-13/16"	65	98	80	14	9.5	80	8.5	85	65
G011 03011	C 1-13/16"/65x135	1-13/16"	65	98	80	14	9.5	80	8.5	135	115
G011 03012	C 1-13/16"/65x185	1-13/16"	65	98	80	14	9.5	80	8.5	185	165
G011 03013	C 1-13/16"/65x235	2-1/8"	65	98	80	14	9.5	80	8.5	235	215
G011 03014	C 2-1/8"/65x85	2-1/8"	65	98	80	14	9.5	80	8.5	85	55
G011 03015	C 2-1/8"/65x135	2-1/8"	65	98	80	14	9.5	80	8.5	135	115
G011 03016	C 2-1/8"/65x185	2-1/8"	65	98	80	14	9.5	80	8.5	185	165
G011 03017	C 2-1/8"/65x235	2-1/8"	65	98	80	14	9.5	80	8.5	235	215
G011 03511	C 40/50x75	40	50	83	64	10	6	65	5.5	75	55
G011 03512	C 40/50x115	40	50	83	64	10	6	65	5.5	115	95
G011 03513	C 40/50x140	40	50	83	64	10	6	65	5.5	140	120
G011 03514	C 40/50x165	40	50	83	64	10	6	65	5.5	165	145
G011 03515	C 40/50x190	40	50	83	64	10	6	65	5.5	190	170

ID No.	Type	D	D1	D2	D4	D5	D6	D7	H	L	L1
G011 03516	C 40/60x75	40	60	93	74	14	9.5	75	8.5	75	55
G011 03517	C 40/60x95	40	60	93	74	14	9.5	75	8.5	95	75
G011 03518	C 40/60x115	40	60	93	74	14	9.5	75	8.5	115	95
G011 03519	C 40/60x140	40	60	93	74	14	9.5	75	8.5	140	120
G011 03520	C 40/60x165	40	60	93	74	14	9.5	75	8.5	165	145
G011 03521	C 40/60x215	40	60	93	74	14	9.5	75	8.5	215	195
G011 03530	C 50/60x75	50	60	93	74	14	9.5	75	8.5	75	55
G011 03531	C 50/60x95	50	60	93	74	14	9.5	75	8.5	95	75
G011 03532	C 50/60x115	50	60	93	74	14	9.5	75	8.5	115	95
G011 03533	C 50/60x140	50	60	93	74	14	9.5	75	8.5	140	120
G011 03534	C 50/60x190	50	60	93	74	14	9.5	75	8.5	190	170
G011 03535	C 50/60x230	50	60	93	74	14	9.5	75	8.5	230	210
G011 03536	C 50/60x240	50	60	93	74	14	9.5	75	8.5	240	220



## Hydro-Lock Sleeves Type CI

--- Pressurized with the allen T-wrench

### Application:

The CI type Hydro-Lock Sleeve is designed for interchangeable tool assembly which can easily be switched between the tools.

### Features:

- Welded structure is designed to reach to a high performance.
- Dimensional matches to the popular grips in the market.
- Max RPM: 9000 rpm

ID No.	Type	D	D1	D2	D4	D5	D6	D7	H	L	L1	N
G012 03003	CI 1-1/2"/50x85	1-1/2"	50	102	64	14	9.5	65	8.5	85	65	8
G012 03004	CI 1-1/2"/50x135	1-1/2"	50	108	64	14	9.5	65	8.5	135	115	8
G012 03006	CI 1-13/16"/60x75	1-13/16"	60	102	74	14	9.5	75	8.5	75	55	8
G012 03007	CI 1-13/16"/60x115	1-13/16"	60	108	74	14	9.5	75	8.5	115	95	8
G012 03010	CI 1-13/16"/65x85	1-13/16"	65	108	80	14	9.5	80	8.5	85	65	8
G012 03011	CI 1-13/16"/65x135	1-13/16"	65	117	80	14	9.5	80	8.5	135	115	8
G012 03014	CI 2-1/8"/65x85	2-1/8"	65	108	80	14	9.5	80	8.5	85	55	8
G012 03015	CI 2-1/8"/65x135	2-1/8"	65	117	80	14	9.5	80	8.5	135	115	8
G012 03511	CI 40/50x75	40	50	100	64	14	9.5	65	8.5	75	55	8
G012 03516	CI 40/60x75	40	60	102	74	14	9.5	75	8.5	75	55	8
G012 03517	CI 40/60x95	40	60	108	74	14	9.5	75	8.5	95	75	8
G012 03518	CI 40/60x115	40	60	108	74	14	9.5	75	8.5	115	95	8
G012 03530	CI 50/60x75	50	60	102	74	14	9.5	75	8.5	75	55	8
G012 03531	CI 50/60x95	50	60	108	74	14	9.5	75	8.5	95	75	8
G012 03532	CI 50/60x115	50	60	108	74	14	9.5	75	8.5	115	95	8



### Hydro-Lock Sleeves Type CIL

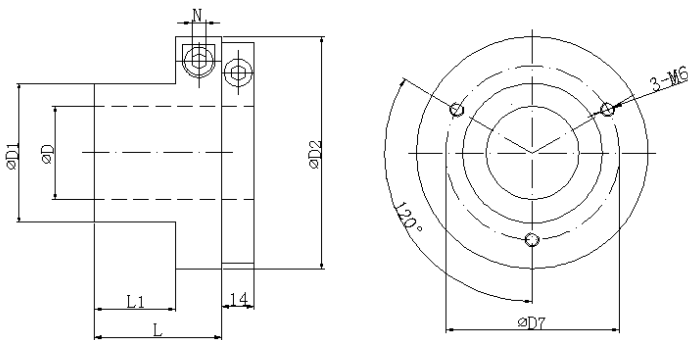
--- Pressurized with the allen T-wrench

#### Application:

The CIL type Hydro-Lock Sleeve is designed for interchangeable tool assembly which can easily be switched between the tools.

#### Features:

- Supplied with a safety ring.
- Welded structure is designed to reach to a high performance.
- Dimensional matches to the popular grips in the market.
- Max RPM: 9000 rpm



ID No.	Type	D	D1	D2	D7	L	L1	N
G012 03801	CIL 40/60x55	40	60	100	75	55	35	6
G012 03802	CIL 40/60x70	40	60	108	75	70	50	6
G012 03803	CIL 40/60x90	40	60	108	75	90	70	6



### Hydro-Lock Sleeves Type AIL

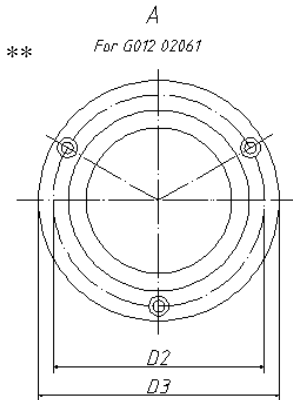
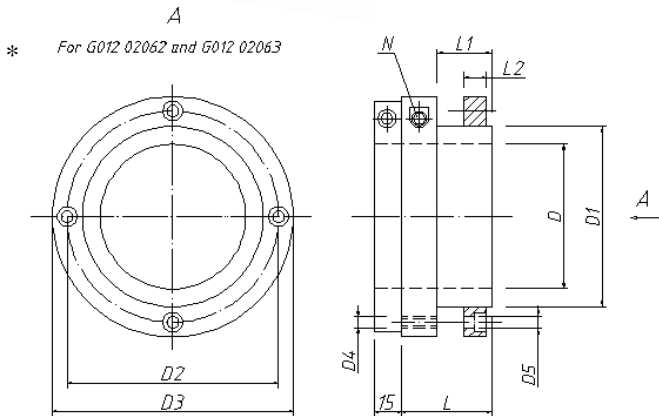
--- Pressurized with the allen T-wrench

#### Application:

The AIL type Hydro-Lock Sleeve is designed for permanent tool assembly especially for saws which can be easily be located at the shaft.

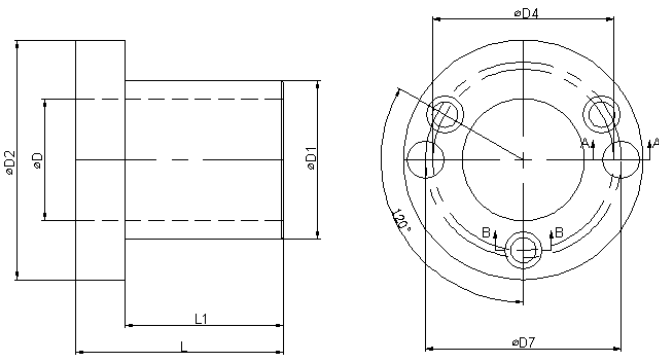
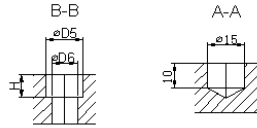
#### Features:

- Supplied with a safety ring in aluminium.
- Welded structure is designed to reach to a high performance.
- Dimensional matches to the popular applications.
- The tool ring is supplied together.
- Max RPM: 9000 rpm



产品编码	型号	D	D1	D2	D3	L	L1	L2	N
G012 02601 **	AIL 60/80x50	60	80	97	113	50	30	12	8
G012 02602 *	AIL 80/100x50	80	100	117	133	50	30	12	8
G012 02603 *	AIL 100/120x50	100	120	137	153	50	30	15	8





## Hydro-Lock Sleeves Type A

--- Pressurized with a grease pump

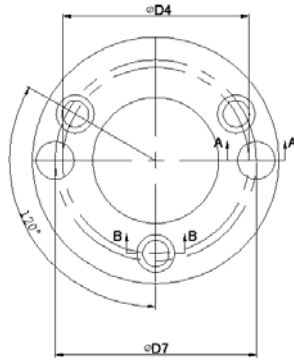
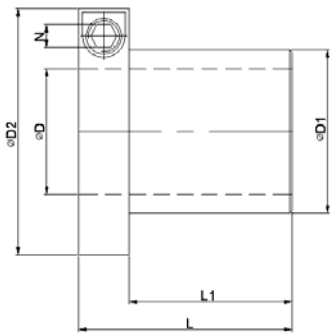
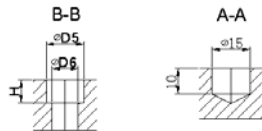
### Application:

The A type Hydro-Lock Sleeve is designed for permanent assembly for different kind of tools.

### Features:

- Welded structure is designed to reach to a high performance.
- Dimensional matches to the popular grips in the market.
- Max RPM: 9000 rpm
- Working Pressure: 400 – 450 bars
- Max Pressure: 500 bars

ID No.	Type	D	D1	D2	D4	D5	D6	D7	H	L	L1
G011 02001	A 1-1/2"/50x55	1-1/2"	50	83	64	14	9.5	65	8.5	55	35
G011 02003	A 1-13/16"/60x55	1-13/16"	60	93	74	14	9.5	75	8.5	55	35
G011 02005	A 1-13/16"/65x55	1-13/16"	65	98	80	14	9.5	80	8.5	55	35
G011 02007	A 2-1/8"/65x55	2-1/8"	65	98	80	14	9.5	80	8.5	55	35
G011 02510	A 40/50x55	40	50	83	64	10	6	65	5.5	55	35
G011 02525	A 40/60x55	40	60	93	74	14	9.5	75	8.5	55	35
G011 02516	A 40/60x75	40	60	93	74	14	9.5	75	8.5	75	55
G011 02529	A 50/60x55	50	60	93	74	14	9.5	75	8.5	55	35
G011 02530	A 50/60x75	50	60	93	74	14	9.5	75	8.5	75	55



## Hydro-Lock Sleeves Type AI

--- Pressurized with the allen T-wrench

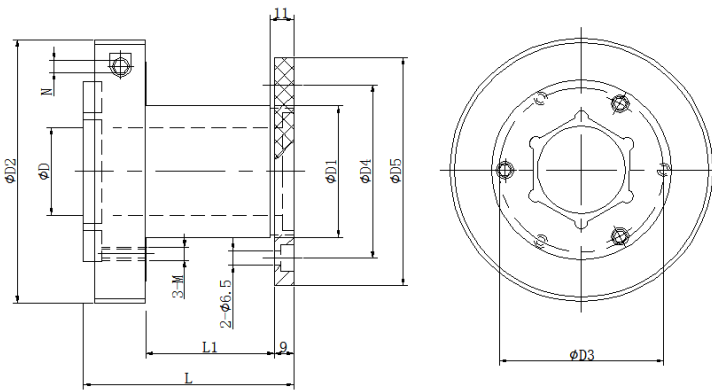
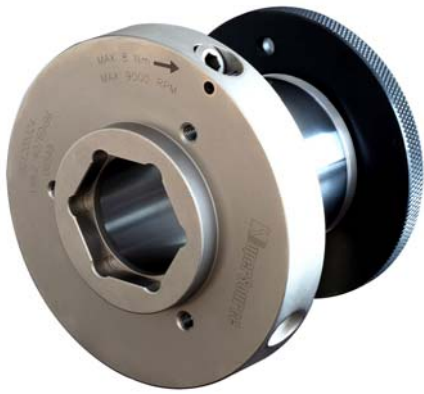
### Application:

The AI type Hydro-Lock Sleeve is designed for permanent assembly for different kind of tools.

### Features:

- Welded structure is designed to reach to a high performance.
- Dimensional matches to the popular grips in the market.
- Max RPM: 9000 rpm
- Working Pressure: 400 – 450 bars
- Max Pressure: 500 bars

ID No.	Type	D	D1	D2	D4	D5	D6	D7	H	L	L1	N
G012 02001	AI 1-1/2"/50x55	1-1/2"	50	93	64	14	9.5	65	8.5	55	35	6
G012 02003	AI 1-13/16"/60x55	1-13/16"	60	93	74	14	9.5	75	8.5	55	35	6
G012 02005	AI 1-13/16"/65x55	1-13/16"	65	98	80	14	9.5	80	8.5	55	35	6
G012 02007	AI 2-1/8"/65x55	2-1/8"	65	98	80	14	9.5	80	8.5	55	35	6
G012 02510	AI 40/50x55	40	50	83	64	10	6	65	5.5	55	35	6
G012 02525	AI 40/60x55	40	60	93	74	14	9.5	75	8.5	55	35	6
G012 02516	AI 40/60x75	40	60	93	74	14	9.5	75	8.5	75	55	6
G012 02529	AI 50/60x55	50	60	93	74	14	9.5	75	8.5	55	35	6
G012 02530	AI 50/60x75	50	60	93	74	14	9.5	75	8.5	75	55	6



## Hydro-Lock Sleeves Type EIBL2

--- Pressurized with the allen T-wrench

### Application:

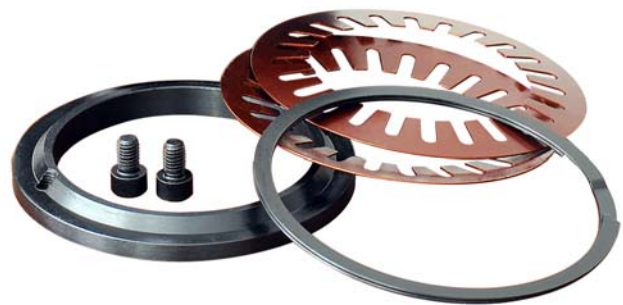
The EIB type Hydro-Lock Sleeve is designed for interchangeable tool assembly and machines with hexagonal spindle profile. The scaled nut is used for fine adjusting the gap between the two cutters.

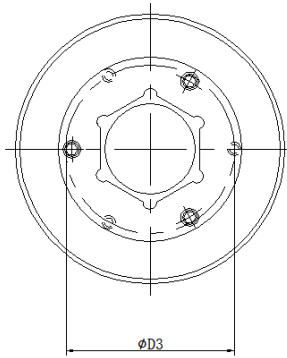
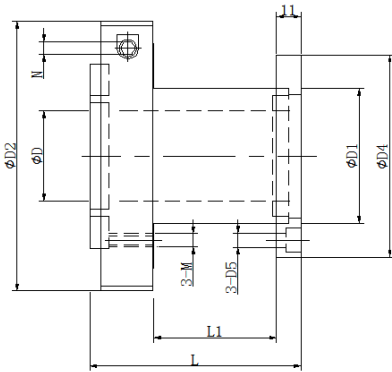
### Features:

- Welded structure is designed to reach to a high performance.
- Supplied with an internal hexagonal insert in the collar of the sleeve.
- Dimensional matches to the popular applications in the market.
- Max RPM: 9000 rpm

产品编码	型号	D	D1	D2	D3	D4	D5	M	L	L1	N
G012 05320	EIBL2 40/60x96	40	60	120	75	79	104	M6	96	58.5	6

ID No.	Type
G901 01111	Adjust Ring 93x70x9
G901 01115	Stop Ring 98x88x2
G901 01110	V Shape Spring





### Hydro-Lock Sleeves Type EICL2

--- Pressurized with the allen T-wrench

#### Application:

The EIC type Hydro-Lock Sleeve is designed for interchangeable tool assembly and machines with hexagonal spindle profile.

#### Features:

- Welded structure is designed to reach to a high performance.
- Supplied with an internal hexagonal insert in the collar of the sleeve.
- Dimensional matches to the popular applications in the market.
- Max RPM: 9000 rpm

ID No.	Type	D	D1	D2	D3	D4	D5	M	L	L1	N
G012 05321	EICL2 40/60x94-75	40	60	120	75	90	6.5	M6	94	54.5	6